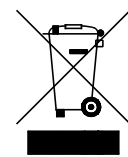
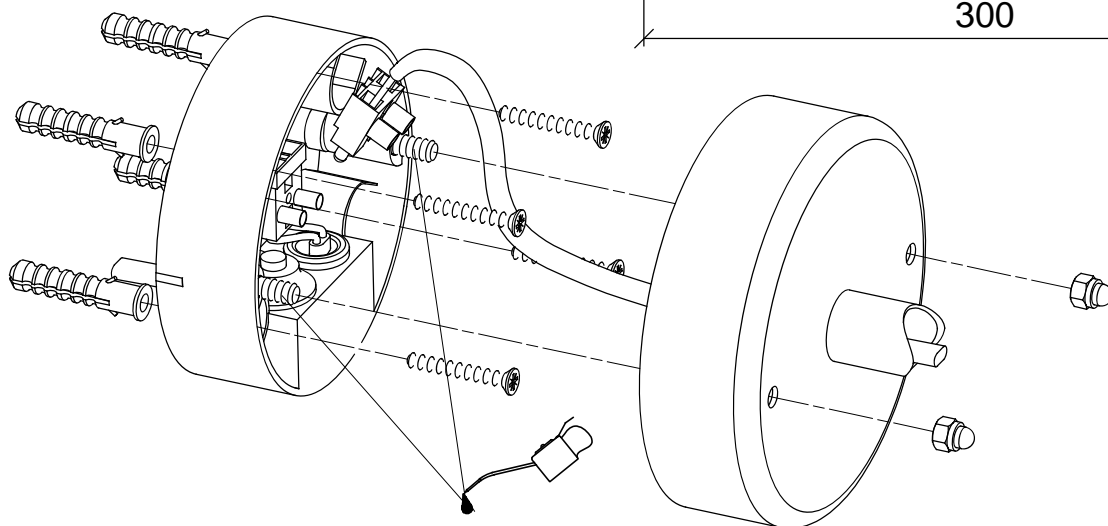
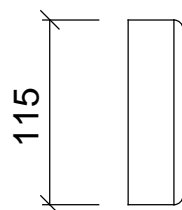
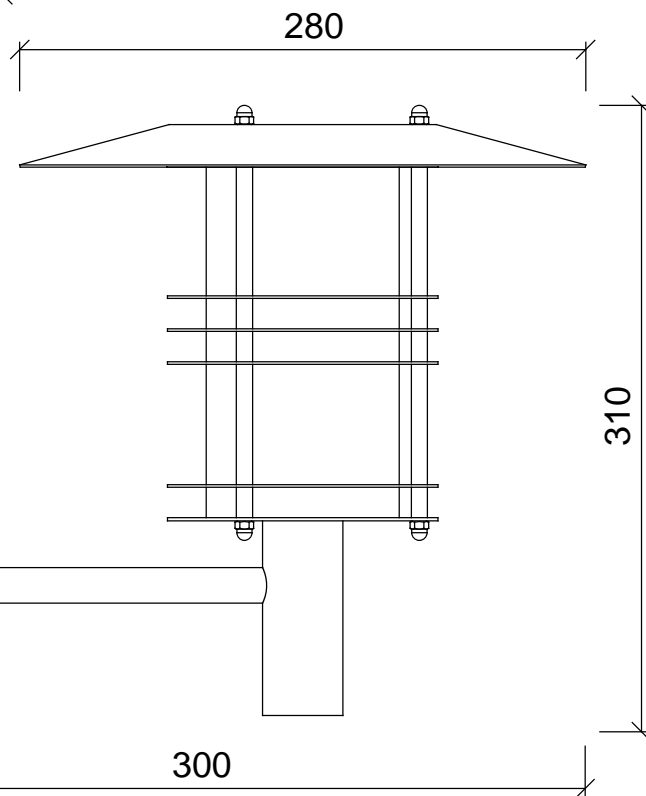
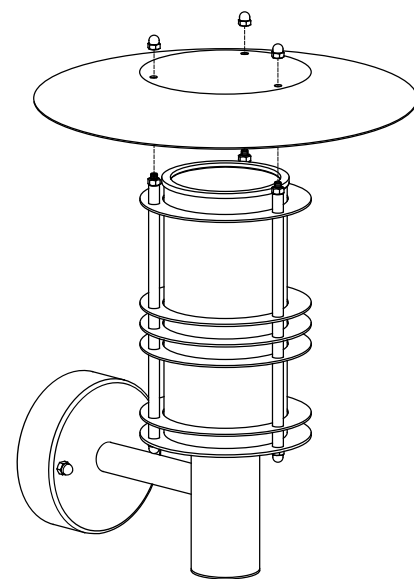
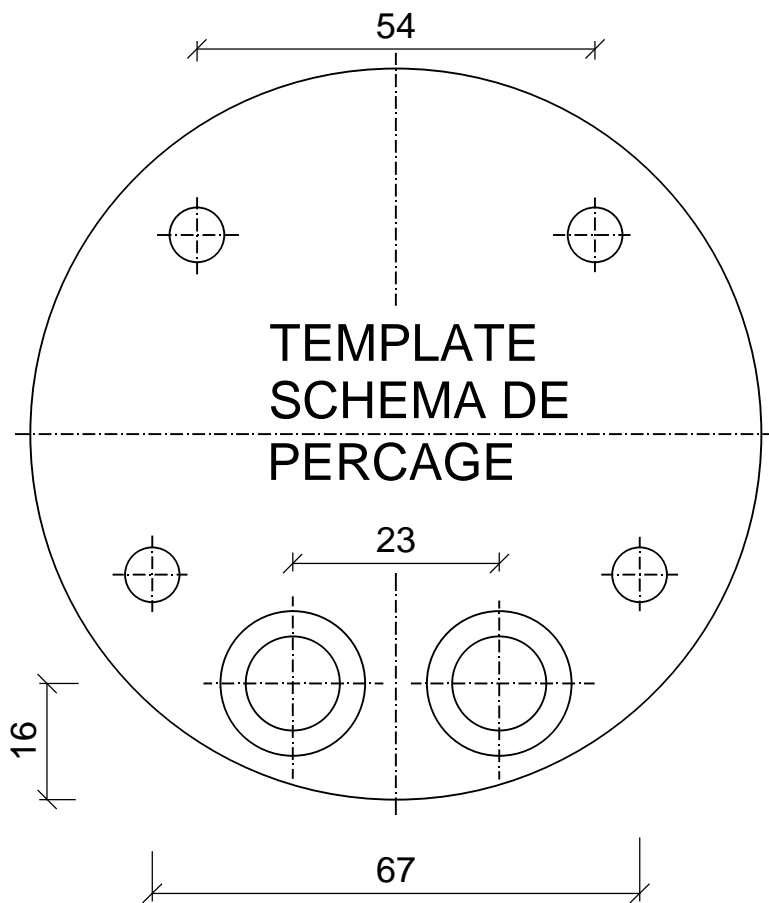
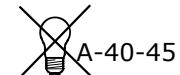
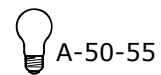


STOCKHOLM

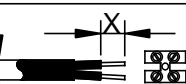
Art.280

E27 QA55 46W

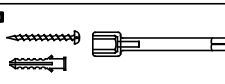


<1,5[□] x=10mm
1,5 ÷ 2,5[□] x=12mm

ø5-12mm



2x max.2,5[□]



max.2,5[□]

