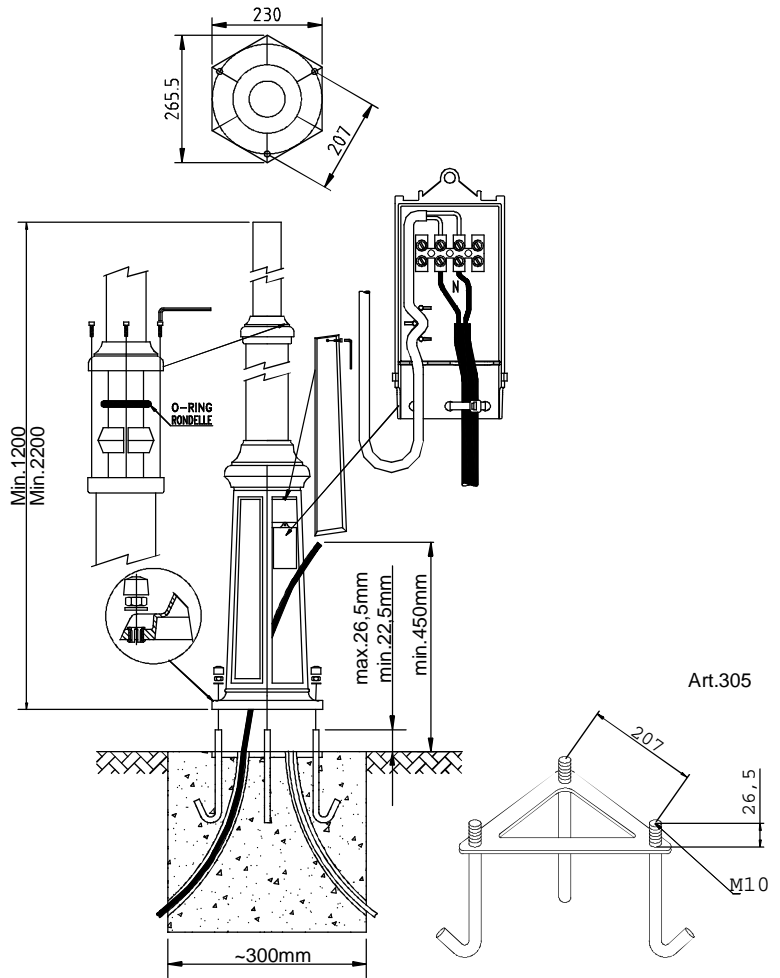
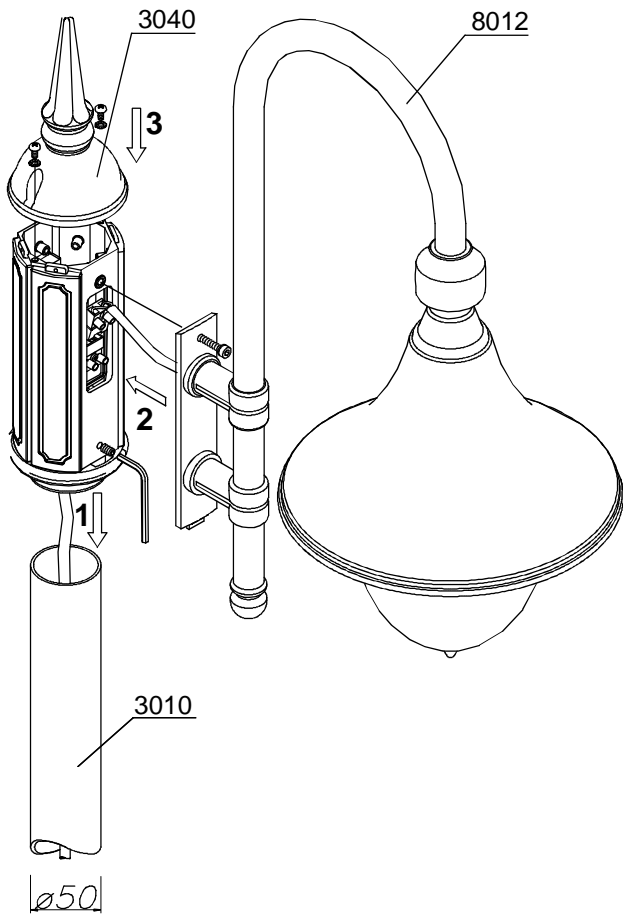


~230V 50Hz CLASS II  IP54

Art.810,820,830,840

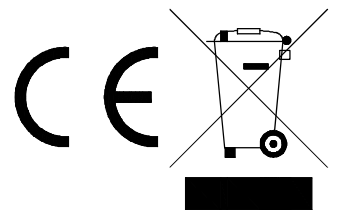
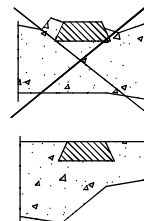
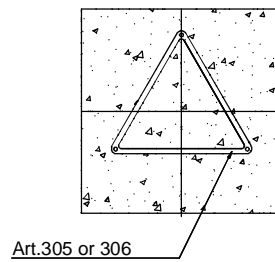
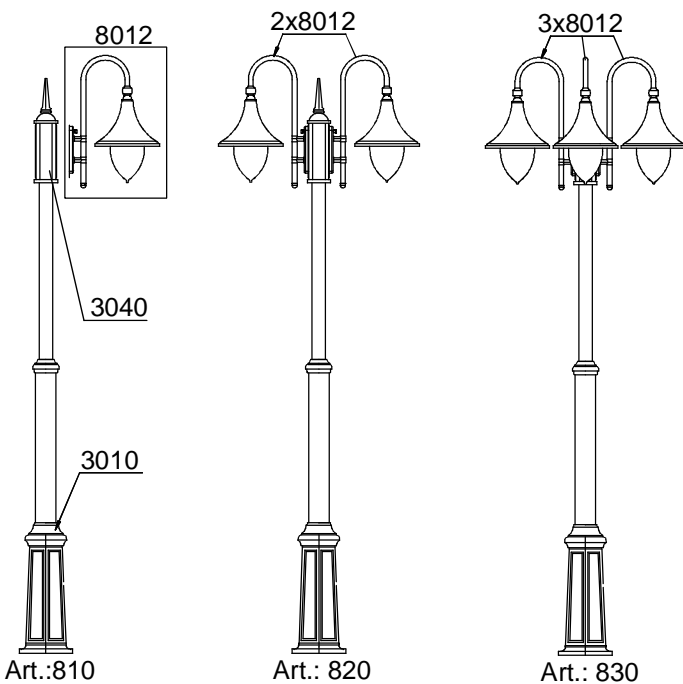
E27, QA55, 57W

 A-50-55  A-40-45



Art.305

Art.306



INSTR. N°810,820,830
XI/2014

